



TI-P023-11
CMGT Issue 12

S5

Carbon Steel Separator


Description

The S5 is a carbon steel baffle type separator used for the removal of entrained liquids in steam, compressed air and gas systems.

Optional extras

Insulation jackets are available which will increase the performance of the separator, (see TI-P138-01).

Standards

This product fully complies with the requirements of the European Pressure Equipment Directive 97/23/EC and carries the  mark when so required.

Certification

This product is available with certification to EN 10204 3.1.

Note: All certification/inspection requirements must be stated at the time of order placement.

Sizes and pipe connections

1/2", 3/4", 1", 1 1/4", 1 1/2" and 2"

Screwed BSP or NPT, butt weld, socket weld.

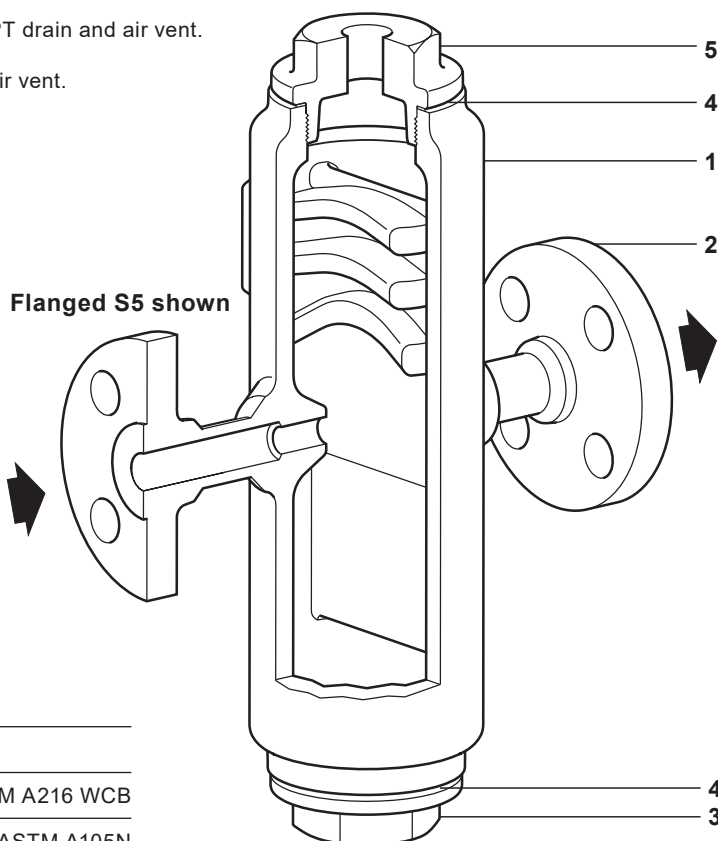
DN15, DN20, DN25, DN32, DN40 and DN50.

Flanged EN 1092 PN40 with screwed BSP drain and air vent.

Flanged BS 1560 (ASME) Class 150 or 300 with screwed NPT drain and air vent.

Flanged JIS /KS 10K and 20K with screwed BSP drain and air vent.

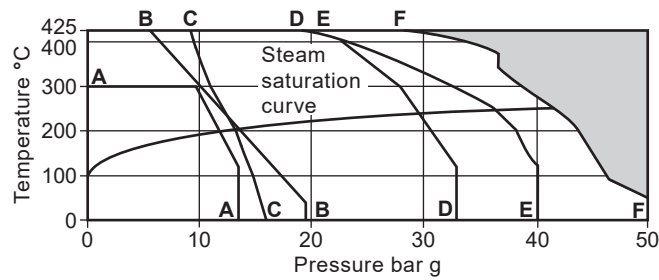
Note: For larger sizes use an S7 separator. See TI-P138-03.



Materials

No.	Part	Material	
1	Body	Carbon steel	1.0619 +N/ASTM A216 WCB
2	Flange	Carbon steel	DIN 17243 C22.8/ASTM A105N
3	Cap	Carbon steel	1.0460
4	Cap gasket	Reinforced exfoliated graphite	
5	Cap	Carbon steel	1.0460

Pressure / temperature limits



The product **must not** be used in this region.

- A - A** Flanged JIS/KS 10K
- B - B** Flanged ASME Class 150
- C - C** Flanged EN 1092 PN16
- D - D** Flanged JIS/KS 20K
- E - E** Flanged EN 1092 PN40
- F - F** Flanged ASME Class 300, screwed BSP, NPT, socket weld and butt weld

Body design conditions	PN50/ASME 300	
PMA Maximum allowable pressure	50 bar g @ 50 °C	
TMA Maximum allowable temperature	425 °C @ 28 bar g	
Minimum allowable temperature	-10 °C	
	JIS/KS 10K	12.5 bar g @ 193 °C
	PN16	13.8 bar g @ 198 °C
	ASME 150	13.8 bar g @ 200 °C
PMO Maximum operating pressure for saturated steam service	JIS/KS 20K	30.0 bar g @ 236 °C
	PN40	35.9 bar g @ 246 °C
	ASME 300	41.4 bar g @ 254 °C
	Scrd/SW/BW	41.4 bar g @ 254 °C
TMO Maximum operating temperature	425 °C @ 28 bar g	
Minimum operating temperature	0 °C	
Designed for a maximum cold hydraulic test pressure of	76.6 bar g	


Dimensions (approximate) in mm

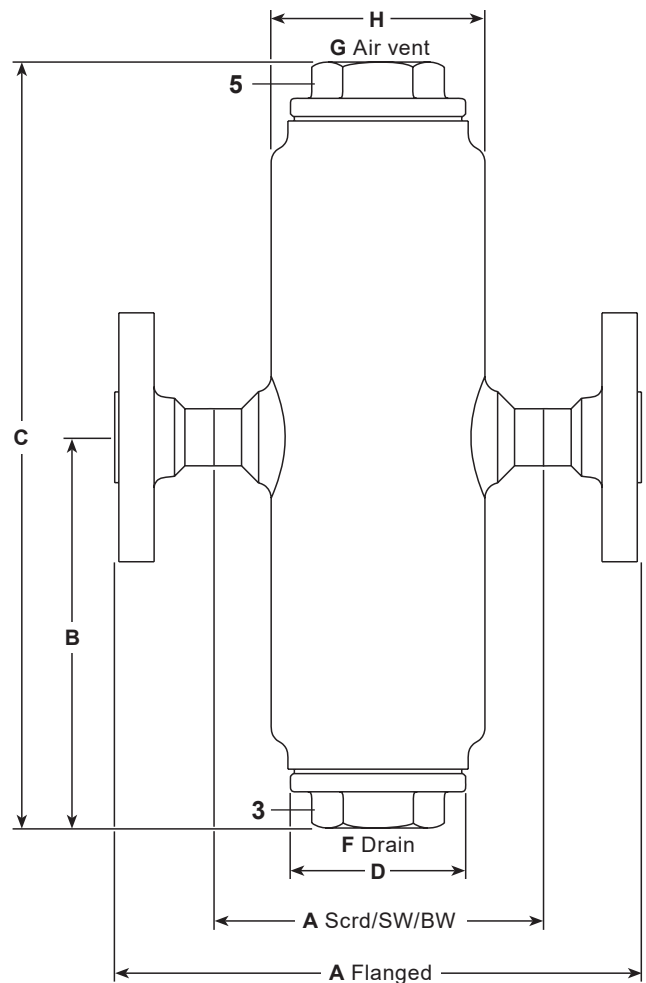
Size	Screwed	PN16 A	PN40 A	ASME	ASME	JIS / KS 10K & 20K A	B	C	D	F	G	H
	SW, BW A			150 A	300 A							
DN15 - ½"	130	-	204	204	204	204	150	294	68	1"	½"	83
DN20 - ¾"	130	-	212	212	212	212	146	347	68	1"	½"	83
DN25 - 1"	178	-	260	260	260	260	170.5	386	68	1"	½"	130
DN32 - 1¼"	190	-	277	277	277	277	195	440	68	1"	½"	144
DN40 - 1½"	220	-	314	314	314	314	208	508	68	1"	1"	168
DN50 - 2"	214	-	314	314	314	314	208	558	68	1"	1"	168

Weights/volume (approximate) in kg and litres

Size	Weight		Volume	
	Scrd/SW/BW	Flanged	Scrd/SW/BW	Flanged
DN15 - ½"	5.8	7.4	0.71	0.72
DN20 - ¾"	6.75	9.1	0.90	0.92
DN25 - 1"	12	14.8	2.83	2.86
DN32 - 1¼"	15.9	20	4.15	4.19
DN40 - 1½"	22.0	26.6	6.93	7.00
DN50 - 2"	23.9	30.1	7.74	7.88

Recommended tightening torques

Items	 mm	Nm
3 and 5	46 A/F	180 - 200



Safety information, installation and maintenance

For full details see the Installation and Maintenance Instructions (IM-P023-55) supplied with the product.

Installation note:

Install in a horizontal pipeline with the drain directly below.

To ensure that any separated liquid is drained quickly, a suitable steam trap/liquid drainer must be connected to the drain connection. For those steam systems where air can be present, air can collect in the upper portion of the separator. In this situation a suitable air vent should be connected to the air vent connection.

If an air vent is not being fitted then the connection must have the plastic transit protection plug removed and must have a carbon steel class 3000 lb plug fitted.

Disposal:

The product is recyclable. No ecological hazard is anticipated with disposal providing due care is taken.

How to order

Example: 1 off Spirax Sarco DN20 S5 separator with a carbon steel body flanged to EN 1092 PN40.